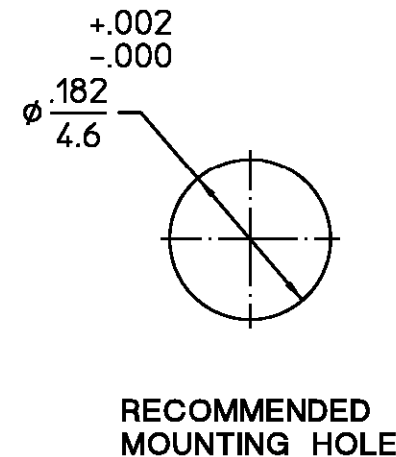


REVISIONS			
REV	DESCRIPTION	DATE	APPROVED
01 ₁	REVISED	9/16/85	[Signature]



ELECTRICAL	MECHANICAL	ENVIRONMENTAL
Nominal Impedance (Ohms) <u>50</u>	Interface Dimensions <u>SEE M/A-COM CATALOG</u>	Temperature Rating <u>-65°to+125°C</u>
Frequency Range (GHz) DC to <u>18</u>	Mating Characteristics:	Vibration MIL-STD-202, Method 204, Condition D
Volt Rating (VRMS MAX) @ Sea Level <u>250</u>	Insertion (MAX Lbs) <u>3</u>	Shock MIL-STD-202, Method 213, Condition I
VSWR <u>1.05±.01f(GHz)</u>	Withdrawal (MIN Oz) <u>0.5</u>	Thermal Shock MIL-STD-202, Method 107, Condition B
Insertion Loss (dB MAX) <u>.06x√f(GHz)</u>	Force to Engage (In-Lbs MAX) <u>3</u> & Disengage (In-Lbs MAX) <u>1.5</u>	Moisture Resistance MIL-STD-202, Method 106
RF Leakage (dB MIN) <u>-(60-f(GHz))</u>	Center Contact Captivation Axial (Lbs) <u>4</u>	Corrosion - MIL-STD-202, Method 101, Condition B
Corona, 70,000 Ft (VRMS MIN) <u>190</u>		
Dielectric Withstanding Voltage (VRMS MIN) @ Sea Level <u>675</u>		
Contact Resistance (Milliohms MAX) Center Contact <u>6.0</u> Outer Contact <u>3.0</u> Cable to Housing <u>N/A</u>		
RF High Potential @ Sea Level (VRMS MIN @ 5 MHz) <u>500</u>		
I.R.(Megohms MIN) <u>5000</u>		

COMPONENT	MATERIAL	FINISH
HOUSING MOUNTING NUT LOCKWASHER	STAINLESS STEEL PER ASTM-A484 AND ASTM-A582, TYPE 303	PASSIVATE PER QQ-P-35
DIELECTRIC	PTFE FLUOROCARBON PER ASTM-D-1457	N/A
CENTER CONTACT	BERYLLIUM COPPER PER ASTM-B-196 OR ASTM-B-197, ALLOY C17300, CONDITION H	GOLD PLATE PER MIL-G-45204
O-RING	FLUOROSILICONE 60 (DUROMETER) PER MIL-P-25988, CLASS 1, TYPE 1	N/A

UNLESS OTHERWISE SPECIFIED DIMENSIONS ARE IN MM	DRAWN BY GT	DATE 9/18/85		AMP Incorporated 140 Fourth Avenue Waltham, MA 02451-7599
DEC. ±.013	CHECKED BY SWA	DATE 9/23/85		
ANGLES ± 1°	APPROD BY PCV	DATE 10/25/85		

TITLE "OSSP" PLUG TO "OSM" JACK BULKHEAD FEEDTHRU ADAPTER			
SIZE B	CODE IDENT NO. 26805	4785-2240-02	REV 01 ₁
SCALE 5:1			SHEET 1 OF 1

CUSTOMER DRAWING

AMP PART # 1059941-1
SHEET 1 OF 1 REV B
PER EC # OU20-0261-01